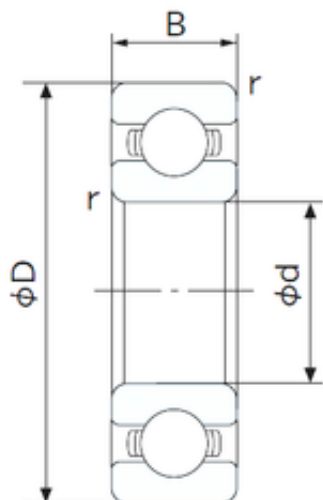




China Abec 5 Bearings Supplier



SKF NSK Timken Koyo NACHI NTN NSK
 Deep Groove Ball Bearing All Series 6200 6202
 6204 6206 6208 6210 6304 6306 6308 6310

Bearing No. 6200

Size	10x30x9 mm
Bore Diameter	10 mm
Outer Diameter	30 mm
Width	9 mm
d	10 mm
D	30 mm
B	9 mm
C	9 mm
r min.	0.6 mm
da min.	15 mm
Da max.	25 mm
ra max.	0.6 mm
Weight	0.032 Kg
Basic dynamic load rating (C)	5,1 kN
Basic static load rating (C0)	2,39 kN
(Grease) Lubrication Speed	24000 r/min
Category	Single Row Ball Bearings
Inventory	0.0
Manufacturer Name	NACHI
Minimum Buy Quantity	N/A
Weight / Kilogram	0
Product Group	B00308
Enclosure	Open
Precision Class	ABEC 1 ISO P0

6200 Bearing 2D drawings and 3D CAD models



China Abec 5 Bearings Supplier

Maximum Capacity / Filling Slot	No
Rolling Element	Ball Bearing
Snap Ring	No
Internal Special Features	No
Cage Material	Steel
Internal Clearance	C0-Medium
Inch - Metric	Metric
Long Description	10MM Bore; 30MM Outside Diameter; 9MM Outer Race Width; Open; Ball Bearing; ABEC 1 ISO P0; No Filling Slot; No Snap Ring; No Internal Special Features; C0-Medium Internal Clearance; Steel Cage
Other Features	Deep Groove
Category	Single Row Ball Bearing
UNSPSC	31171504
Harmonized Tariff Code	8482.10.50.68
Noun	Bearing
Keyword String	Ball
Manufacturer URL	http://www.nachiamerica.com
Weight / LBS	0.06834
Outer Race Width	0.354 Inch 9 Millimeter
Inner Race Width	0 Inch 0 Millimeter
Bore	0.394 Inch 10 Millimeter
Outside Diameter	1.181 Inch 30 Millimeter
Bore Type	Cylindrical Bore
Configuration	Single Row
Bore Size	10 mm
Width	9 mm
Fillet Radius/Chamfer	0.6 mm



China Abec 5 Bearings Supplier

Dynamic Load Rating	5,100 N
Static Load Rating	2,390 N
Limiting Speed - Grease	25,000 rpm
Limiting Speed - Oil	30,000 rpm
Factor fo	13.2
Radial Clearance	0.002 to 0.013 mm
da (min)	15 mm
Da (max)	25 mm
ra (max)	0.6 mm